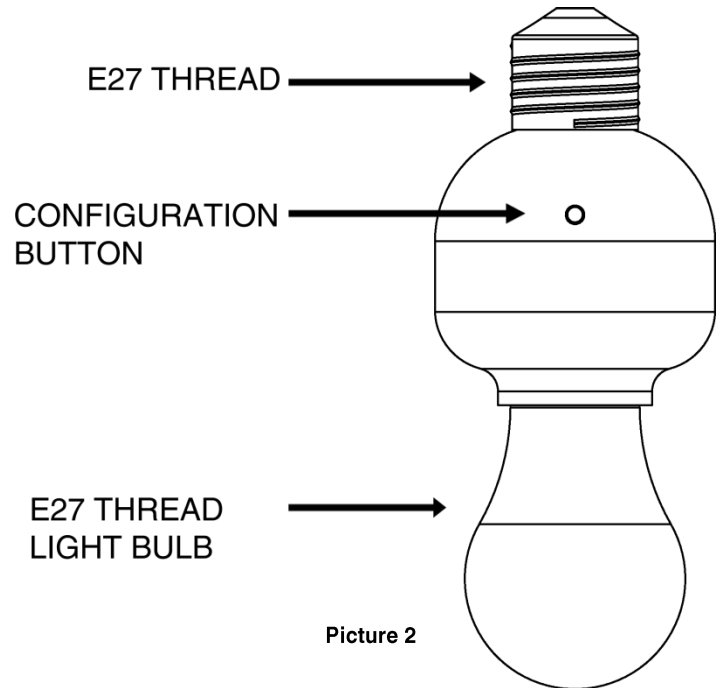


Picture 1



Picture 2

DANGER! SHOCK HAZARD



NOTE: This module must be included in the Network only where it will be permanently installed. The proper operation of this node in the mesh network is dependent on it knowing its location with respect to other nodes. You cannot "test bench" configure this module.

BASIC OPERATION

Local Control

Turn ON or OFF the connected loads.
Dimming the connected loads (L2010).

Internal Circuit Protection

The LI2000 internal circuitry is protected by an internal fuse. This internal fuse is factory serviceable only. Check your home circuit breakers before concluding that the product must be returned to manufacturer for repair at a nominal charge.

Use cases

- Automate your lights and make them smart.
- Use custom schedules for lights to turn on and off to deter thieves by making them think that the house is occupied.
- Create a timed night light for children by linking a motion sensor with your Lightee to control a night light that turns off or dim when nobody is moving.
- Measure energy usage.

INSTALLATION

Plug an incandescent or LED bulb into Lightee and then plug the set into the home's lamp holder according to the diagram on the right (Picture 3).

LINKING LI2000 TO THE NETWORK

STEP 1. Open the joining window pressing "Add device" button on Webee App. Once pressed the button, there will be 60 seconds to add any device to the network.

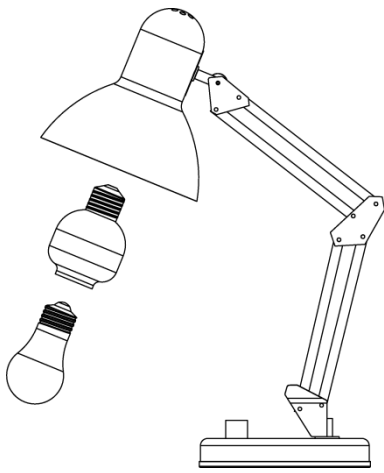
STEP 2. Make sure the lamp holder is turned on. The LI2000 must be in its permanently installed location. Press the Configuration button of the device for one second. The connected bulb will flash three times evenly.

UNLINKING LI2000 TO THE NETWORK

Press the Configuration button for 10 seconds and release it. The Status LED will start blinking non uniformly.

LINKING ANY DEVICE TO THE NETWORK VIA LI2000

STEP 1. Open the joining window pressing "Add device" button on Smartee App. Once pressed the button, there will be 60 seconds to add any device to the network.
STEP 2. Press the Configuration button of the node (device between Smartee and final device to link) for 5 seconds and release it. The connected bulb will flash evenly for 60 seconds.
STEP 3. Press the Configuration button of the final device to link for one second and release it. The Status LED will stop blinking and will stay on.



Picture 3

SUPPORT

For support, contact us at support@webeelife.com

WARRANTY

12-Month limited warranty on the Lightee.

SPECIFICATIONS

Power :	110 to 230 VAC, 50/ 60 Hz E27 Thread
Signal:	(Frequency) 2400 ~ 2480 MHz, 250Kbps capable
Maximum Load:	Resistive: 40 watts @ 230V.
Range:	Up to 90 feet line of sight between the Wireless Controller and/or the closest Smartee.
Dimmable range:	0 ~ 100%
Power reading error	1% - 5%
Humidity:	5% - 95% non-condensing
Communication:	Wireless Zigbee HA1.2

COMPATIBILITY WITH ZigBee® DEVICES HA1.2

The Lightee features out-of-the-box compatibility with any ZigBee HA 1.2-certified hub controller, bridge, or platform.

FCC NOTICE

Note: The Zigbee/Radio/Module has been tested and found to comply with the limits for a Class B digital device, pursuant to part 15 of the FCC Rules. These limits are designed to provide reasonable protection against harmful interference in a residential installation. This equipment generates, uses, and can radiate radio frequency energy and, if not installed and used in accordance with the instructions may cause harmful interference to radio communications. However, there is no guarantee that interference will not occur in a particular installation. If this equipment does cause harmful interference to radio or television reception, which can be determined by turning the equipment off and on, the user is encouraged to try to correct the interference by one or more of the following measures:

- Reorient or relocate the receiving antenna.
- Increase the separation between the equipment and receiver
- Connect the equipment into an outlet on a circuit different from that to which the receiver is connected
- Consult the dealer or an experienced radio/TV technician to help.
- Changes or modifications not expressly approved by the party responsible for compliance could void the user's authority to operate the equipment