

# Product Data Sheet

## Air Mouse

Webee-Centralite WB-KR50-1

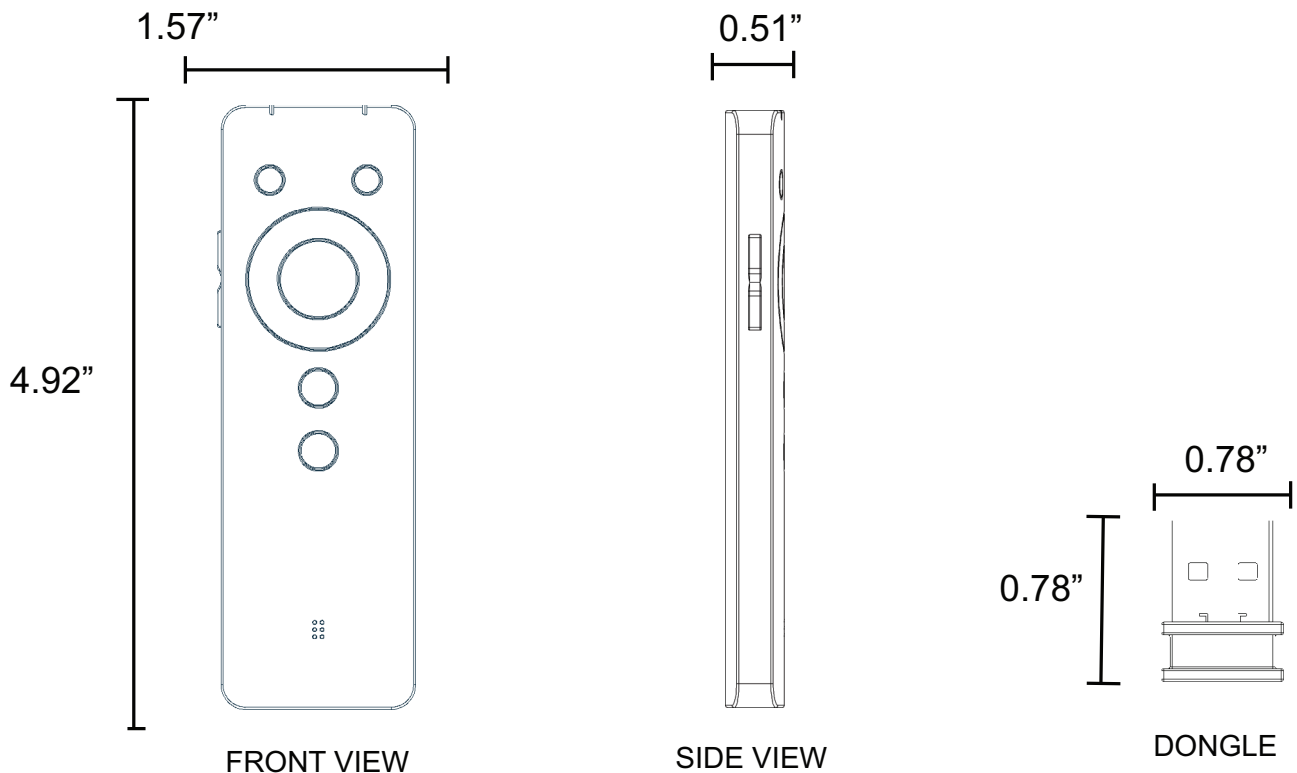


Last Updated: March 2016

### Product Overview

The Webee Air Mouse utilizes the latest six-axis gyroscope & accelerometer technology to deliver superior accuracy and control, and is compatible with all popular Tv's and OS platforms. The Air Mouse successfully combines a directional pad with the convenience of "Fly Mode", to truly enhance the connected home experience. It is powered by built-in rechargeable lithium battery for durable use. With USB plug and play, and easy to use, it really add functionality to your smart home system allowing users to control the smart devices directly from the TV.

### Dimensions



### In the Box:

- 1x - Air Mouse
- 1x - USB Dongle
- 1x - USB power cable

### Key Features:

- Built-in motion sensor.
- Operating range up to 10 meters.
- Superior accuracy and control.
- Built-In rechargeable lithium battery.
- USB plug-and-play receiver.
- Advanced power management.

## Special Features

### Built-In rechargeable lithium battery.

The Built-In rechargeable lithium battery offers an exceedingly battery life due to it's charge density (several weeks based on average daily usage).

### Advanced power management

Webee Air Mouse also employs a state-of-the-art advance power management system to further prolong the battery life. The Air Mouse only draws the required power for each given task preventing unnecessary waste of energy an inconvenient recharges.

## Getting Started

### Step 1: Plug the Air Mouse dongle

Plug the Air Mouse dongle to the USB port of the Webee Smart Home Hub ( see picture 1).

### Step 2: Point Air Mouse to the screen and press any button

Make sure your hub is plugged-in an connected to your TV (HDMI). Check that the correct HDMI channel is on, point the Air Mouse to the screen and press any button ( see picture 2).

### Step 3: Scroll up and down

Point the Air Mouse to the section on the screen and then press and hold to scroll up and down.

## Troubleshooting

### Step 1: No receiver found

If your Air Mouse blinks bluee and it's not responding, make sure the dongle is propely plugged-in to the USB port of the hub.

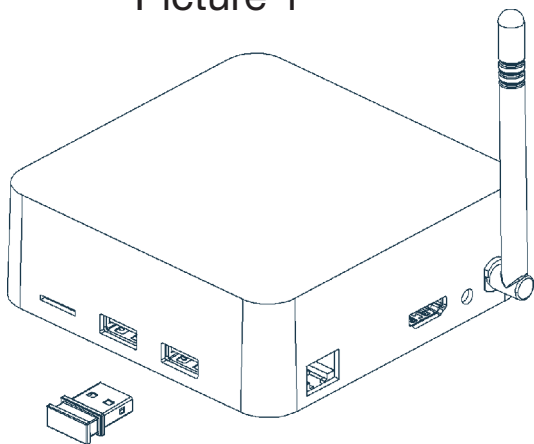
### Step 2: Out of battery

If your Air Mouse is flashing red and blue when pressing any button it means it's out of battery. Connect the cable to the USB port to charge the Air Mouse.

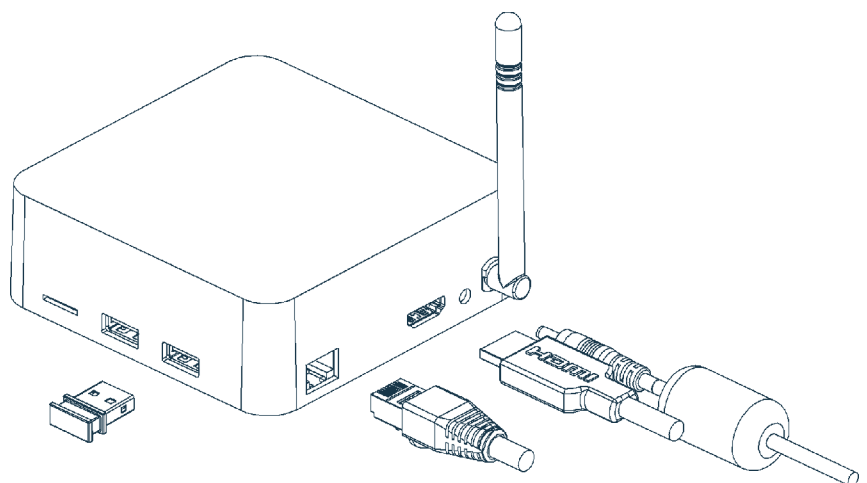
### Step 3: Sleep Mode

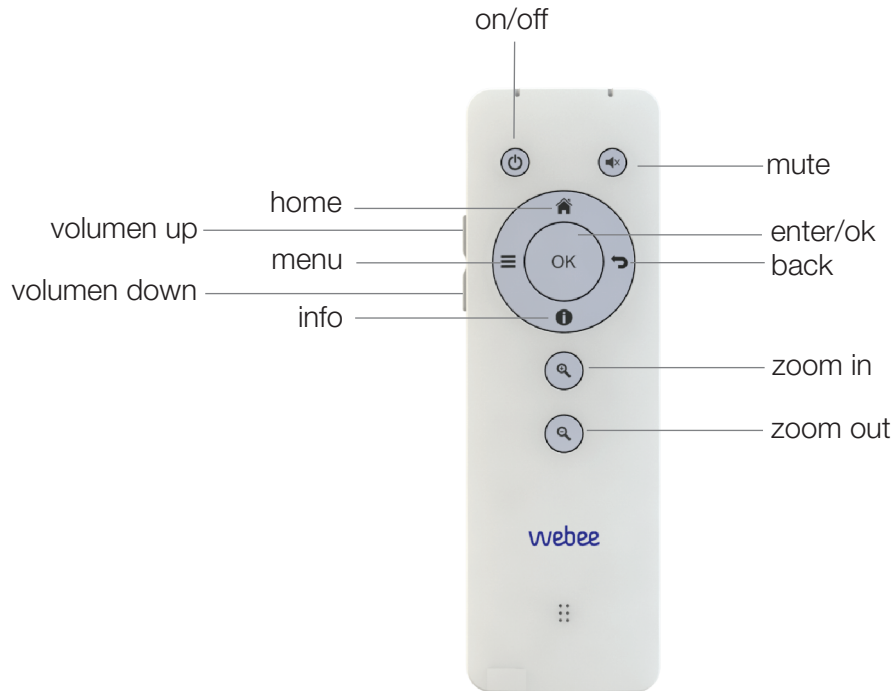
If the pointer is not responding when moving your Air Mouse, press any button to get your Air Mouse out of sleep mode.

Picture 1



Picture 2






---

## Compatibility

The Air Mouse is compatible with set-top-boxes for digital TV and IPTV, Smart TV systems, home entertainment system, game devices, portable navigation devices, Notebook/PC, Man Machine Interfaces (MMI, UI).

---

## Technical Specifications

### Power Source

Rechargeable lithium battery

### Reach

10 meters or more (reference value)

### Protocol

Wireless radio frequency (RF)

### Frequency band

2.4GHz

### Weight

35g

---

## Support

For support contact us at [support@webeelife.com](mailto:support@webeelife.com)

## Standard Warranty

12-month limited warranty on the Webee Air Mouse.