



GETTING STARTED WITH MOTION SENSOR

INDEX

Section 1: Mounting your Motion Sensor

Instructions / Dimensions.....03

Section 2: Connecting to Smartee

Adding Motion Sensor to Zigbee Network.....04

Removing Motion Sensor from Zigbee Network.....04

Section 3: Specs

Electrical Specifications.....05

RF characteristics.....05

Section 4: Security Instructions

Security Guidelines.....06

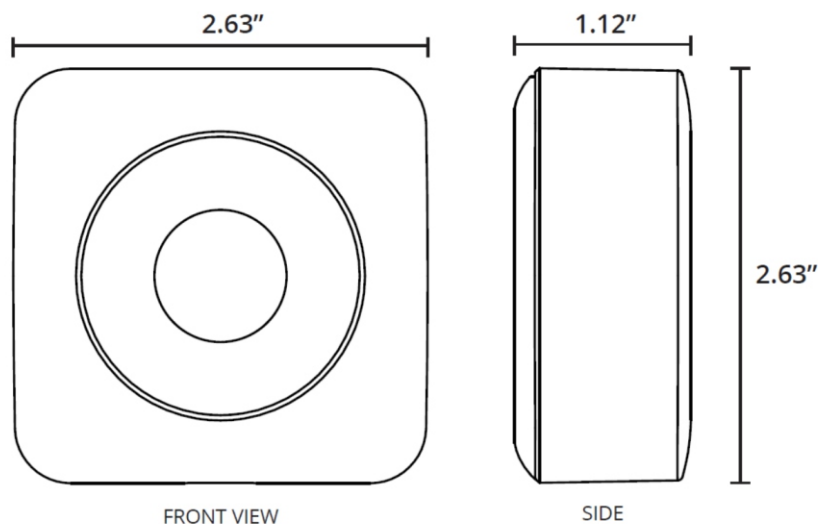
1 MOUNTING YOUR MOTION SENSOR

Instructions

1-The Motion Sensor can be installed using either adhesive strips or mounting screws. The easy-to-install mounting plate attaches with a single screw and the sensor simply slides into place on the mount.

2- The Motion Sensor ships with the battery pre-installed and all that is needed to begin the joining process is to pull out a small plastic tab from the bottom of the device.

Dimensions



2 CONNECTING TO SMARTEE

Adding to Zigbee Network

To join the Motion Sensor to the Smartee, click on the “Add Device” on your Webee App, right after pull the small plastic tab out of the bottom of the sensor and it will immediately search and join the Smartee network.

If the Motion Sensor does not automatically join the network, remove cover from sensor and remove battery. While holding down the reset button, reinsert battery. to factory reset the device.

If after following these steps the sensor will not join the Smartee Zigbee network, do as follows:

- Make sure the Motion Sensor batteries are charged.
- Ensure it is within RF range of a Smartee (30-90ft indoor)

Once the Motion Sensor is added, you will be able to start controlling it through your Webee App.

Removing from Zigbee Network

If it becomes necessary to remove the Motion Sensor from a Zigbee network then you must factory default the device:

- A. Remove cover from sensor and remove the battery.
- D. Press and hold the reset button while reinserting battery.

3 MOTION SENSOR SPECS

Electrical specifications

Description	Min	Typ	Max	Unit
Rated	-	-	3	V
Battery	-	CR-2 (1x)	2-3	Years
Operating temperature	0°	-	40°	°C
Storage temperature	-20°	-	50°	°C
Operating Humidity	0	-	90%	RH (non-condensing)

Wireless RF Characteristics

Description	Min	Typ	Max	Unit
RF Channels	-	-	16	-
TX Strength	-	-	+20	dBm
Range	-	-	50+	ft.
Protocol		Zigbee HA 1.2		

3 SAFETY INSTRUCTIONS



Safety Guidelines

- Clean only with a dry cloth.
- Do not install near any heat source such as radiators, stoves or other appliances (including amplifiers that produce heat).
- Only use attachments and accessories specified by the manufacturer.
- Follow all guidelines carefully, if you have any questions contact us at support@webeelife.com.



Warning: No user-serviceable parts inside. Refer all servicing to qualified service personnel.

Warning: Lift the top of your Motion Sensor to change it's battery. The sensor use Cr2 Batteries. Risk of explosion if another type of battery is used.

Approvals:   

V1.0 REV. January, 2015

webee®

