



GETTING STARTED WITH OPEN/CLOSED SENSOR

INDEX

Section 1: Mounting your Open/Closed Sensor

Instructions / Dimensions.....03

Section 2: Connecting to Smartee

Adding Open/Closed to Zigbee Network.....04

Removing Open/Closed from Zigbee Network.....04

Section 3: Specs

Electrical Specifications.....05

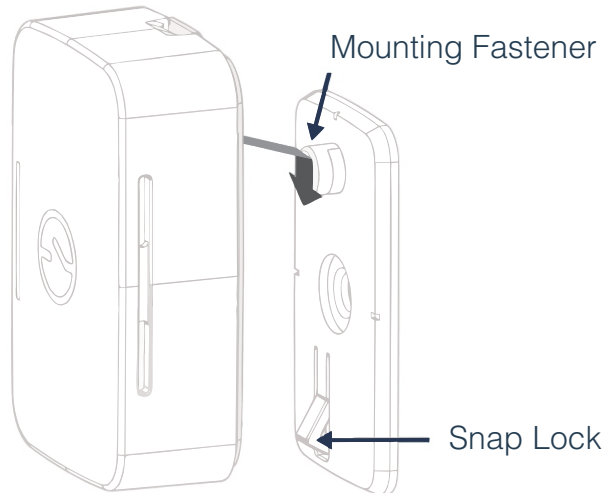
RF characteristics.....05

Section 4: Security Instructions

Security Guidelines.....06

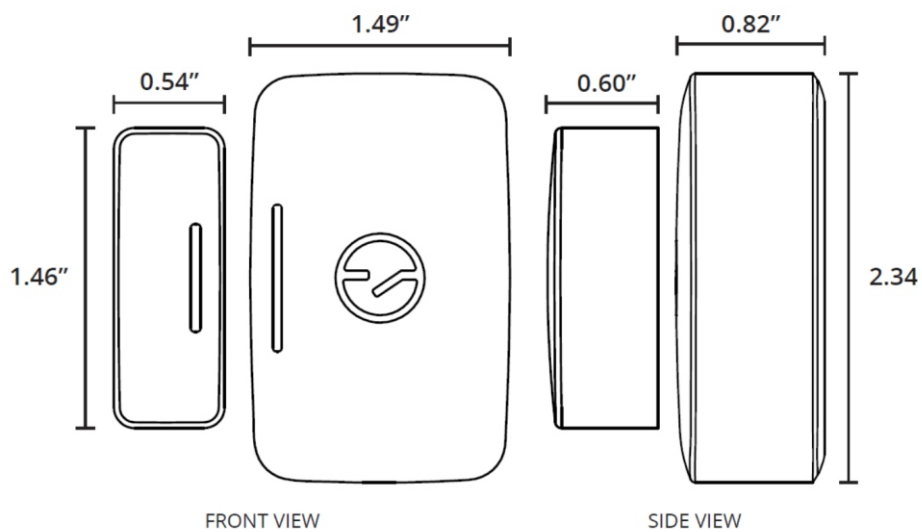
1 MOUNTING YOUR OPEN/CLOSED SENSOR

Instructions



- 1- Adjust the wall bracket to the surface of your choice, then slide the sensor down on to the mounting fastener on the wall plate until the Snap Lock is secured.

Dimensions



2 CONNECTING TO SMARTEE

Adding to Zigbee Network

To join the Open/Closed sensor to Smartee, click on “Add Device” on your Webee App, right after pull the small plastic tab out of the bottom of the sensor and it will immediately search and join the Smartee network.

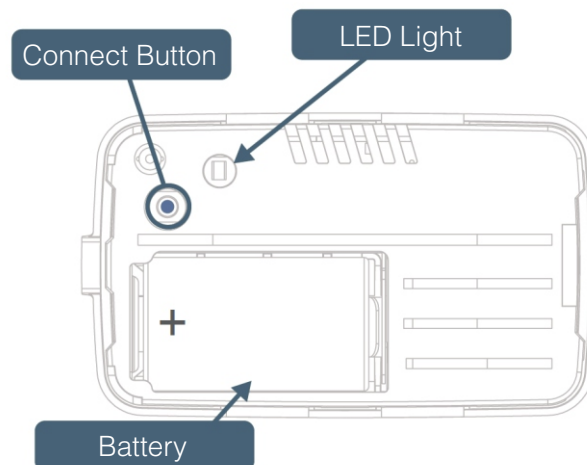
If the sensor does not automatically join the network, remove cover, and remove the battery. While holding down the reset button, reinsert the battery to factory reset the device. Then click on “Add Device” again to add the sensor.

If the after following these steps the Open/Closed sensor will not join the Smartee Zigbee network, do as follows:

- Make sure the Open/Closed sensor batteries are charged.
- Ensure it is within RF range of a Smartee (30-90ft indoor)

Once the Open/Closed sensor is added to your Smartee, you will be able to start controlling it trough your Webee Apps.

Removing from Zigbee Network



If it becomes necessary to remove the Open/Closed sensor from a Zigbee network then you must factory reset the Open/Closed sensor. To do it:

- A.Press and hold the Connect button while inserting the battery.
- B. The LED will blink blue while attempting to connect to your Smartee.
- C. Release the button when led is lit.
- D. The Led will blink blue while attempting to connect to your Smartee.

3

Electrical specifications

Description	Min	Typ	Max	Unit
Rated	-	-	3	V
Battery	-	CR-2 (1x)	2-3	Years
Operating temperature	0°	-	40°	°C
Storage temperature	-20°	-	50°	°C
Operating Humidity	0	-	90%	RH (non-condensing)

Wireless RF Characteristics

Description	Min	Typ	Max	Unit
RF Channels	-	-	16	-
TX Strength	-	-	+20	dBm
Range	-	-	50+	ft.
Protocol		Zigbee HA 1.2		

3 SAFETY INSTRUCTIONS



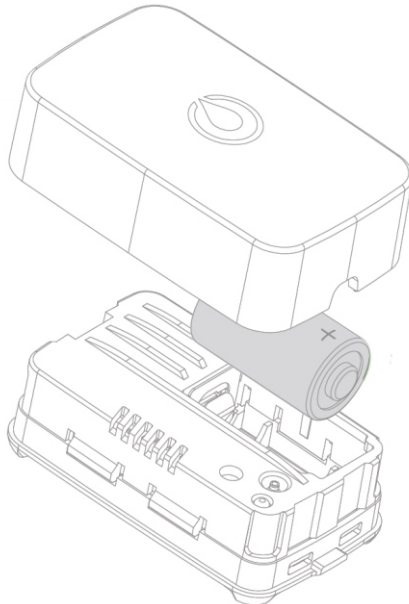
Safety Guidelines

- Clean only with a dry cloth.
- Do not install near any heat source such as radiators, stoves or other appliances (including amplifiers that produce heat.
- Only use attachments and accessories specified by the manufacturer.
- Follow all guidelines carefully, if you have any questions contact us at support@webeelife.com.



Warning: No user-serviceable parts inside. Refer all servicing to qualified service personnel.

Warning: Lift the top of your Open/Closed sensor to change it's battery. It use Cr2 Batteries.
Risk of explosion if another type of battery is used.



Approvals:



V1.0 REV. January, 2016

webee®

