



## GETTING STARTED WITH CLOSEE

# INDEX

## Section 1: Mounting your Closee

Instructions / Dimensions.....03

## Section 2: Connecting to Smartee

Adding Closee to Zigbee Network.....04  
Removing Closee from Zigbee Network.....05

## Section 3: Specs

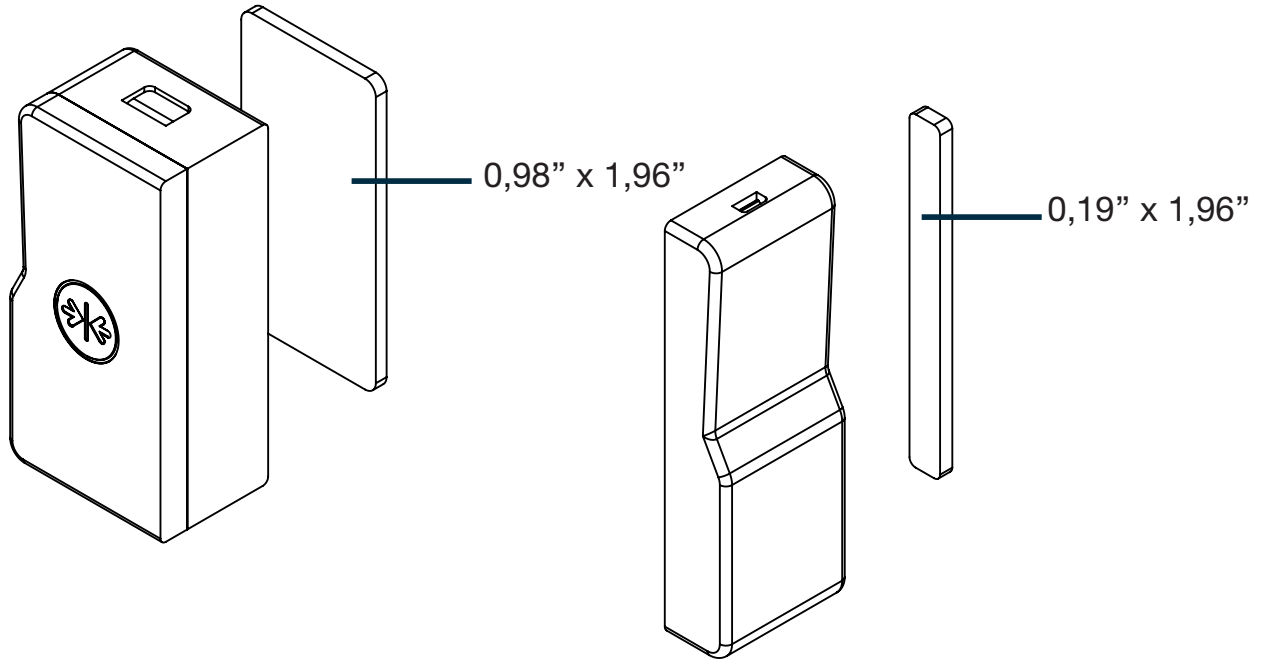
Electrical Specifications.....06  
RF characteristics.....06

## Section 4: Security Instructions

Security Guidelines.....07

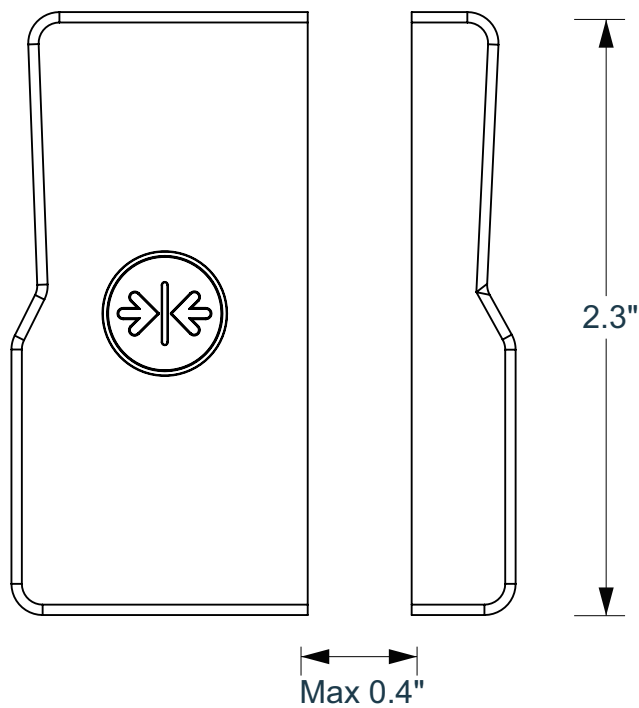
# 1 MOUNTING YOUR CLOSEE

## Instructions



- 1- Adjust the wall bracket to the surface of your choice, then slide the sensor down on to the mounting fastener on the wall plate until the Snap Lock is secured.

## Dimensions

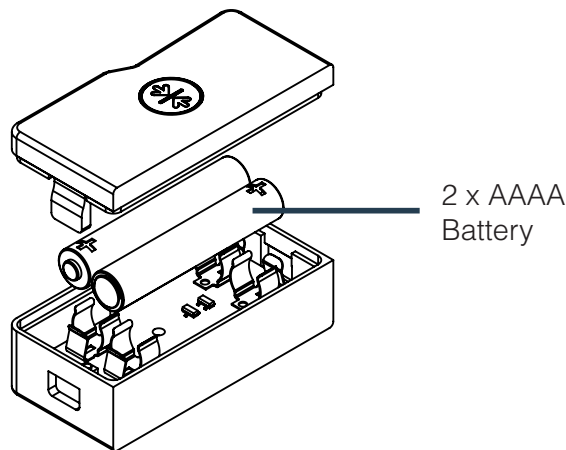


## 2 CONNECTING TO SMARTEE

### Adding to Zigbee Network

To join the Closee to Smartee:

1- Check that the batteries are charged and properly set.



2-The Closee's LED will start blinking while is searching for a network.

3-Click on Add Device on your Smartee or your Webee App to open the network.

4-Upon successful joining the Smartee, the LED will become static.

If the after following these steps the Closee will not join the Smartee Zigbee network, do as follows:

- Make sure the Closee's batteries are fully charged and properly placed.
- Ensure that the Closee is within the range of a the hub (Smartee) or routing device.
- Make sure the network on your Smartee is open for joining by clicking on Add Device on your Webee app. Keep in mind that once you clicked on Add Devices the network will be open for 60 seconds.
- Check if the Closee hasn't join another network (the LED on your closee will be static) See next step to learn how to reset your Closee in order to add it to a new network.

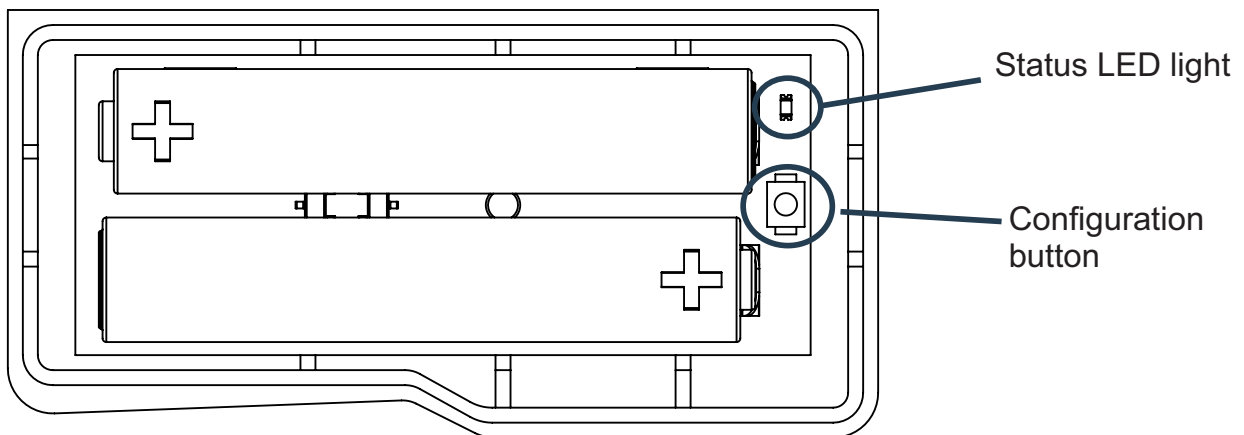
## 2 CONNECTING TO SMARTEE

### Removing from Zigbee Network

If it becomes necessary to remove the Closee from a Zigbee network then you must factory default the Closee.

To factory default the Closee:

- A. Press and hold the Config button for 10 second. The LED will lit and blink twice (after 5 and after 10 seconds)
- D. Right after this, the LED will blink 3 times in 2 occasions and then will start blinking continuously searching for a new network to join.



### 3 CLOSEE'S SPECS

#### Electrical specifications

Description	Min	Typ	Max	Unit
Rated	-	-	3	V
Battery	-	2 x AAAA	1-2	Years
Operating temperature	0°	-	40°	°C
Storage temperature	-20°	-	50°	°C
Operating Humidity	0	-	90%	RH (non-condensing)

#### Wireless RF Characteristics

Description	Min	Typ	Max	Unit
RF Channels	-	-	16	-
TX Strength	-	-	+20	dBm
Range	-	-	50+	ft.
Protocol		Zigbee HA 1.2		

### 3 SAFETY INSTRUCTIONS



#### Safety Guidelines

- Clean only with a dry cloth.
- Do not install near any heat source such as radiators, stoves or other appliances (including amplifiers that produce heat).
- Only use attachments and accessories specified by the manufacturer.
- Follow all guidelines carefully, if you have any questions contact us at [support@webeelife.com](mailto:support@webeelife.com).



**Warning:** No user-servicable parts inside. Refer all servicing to qualified service personnel.

**Warning:** Lift the top of your Closee to change it's battery. Closee use 2 x AAAA bateries. Risk of explosion if another type of battery is used.

V1.0 REV. July, 2015

webee®

