



GETTING STARTED WITH PLUGEE

INDEX

Section 1: Mounting your Plugee

Instructions.....	03
Dimensions.....	03

Section 2: Connecting to Smartee

Adding Plugee to Zigbee Network.....	04
Removing Plugee from Zigbee Network.....	04

Section 3: Specs

Electrical Specifications.....	05
RF characteristics.....	05

Section 4: Security Instructions

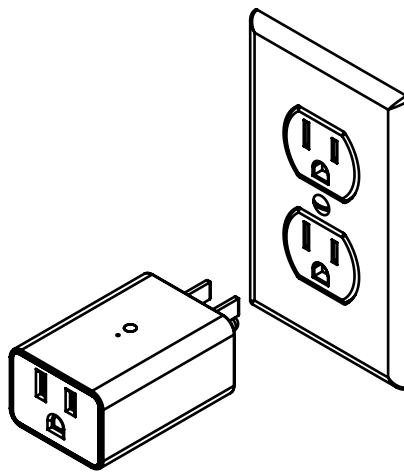
Security Guidelines.....	06
--------------------------	----

1 MOUNTING YOUR PLUGEE

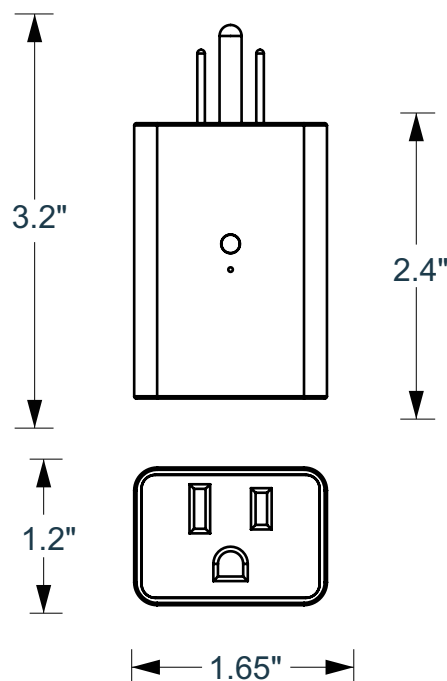
Instructions

1- Attach the plug from the appliance to be controlled into the receptacle of the Plugee.

2- Attach the Plugee to wall receptacle. Verify that the receptacle is powered. If the receptacle is powered by a wall switch, the wall switch must be kept ON at all times for the module to operate properly.



Dimensions



2 CONNECTING TO SMARTEE

Adding to Zigbee Network

To add the Plugee to Smartee, click on the “Add Device” on your Webee App and the Smartee will automatically connect your Plugee to the network. For more detailed instructions check our Smartee User Manual.

If the Plugee does not automatically join the network, press and hold the Plugee button. The Plugee will continuously blink as it attempts to join the hub.

Upon a successful joining of the Plugee to the ZigBee network of your Smartee, the LED will stop blinking.

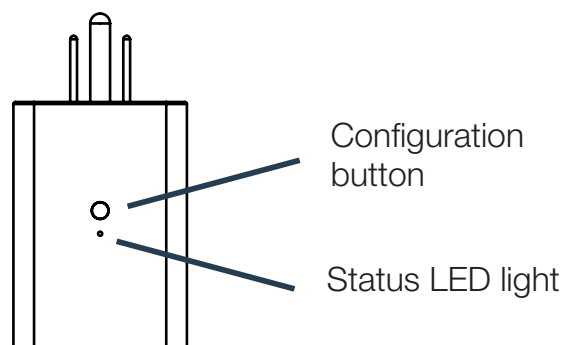
If after following these steps the Plugee will not join the Smartee Zigbee network, do as follows:

- Make sure the Plugee is powered up.
- Ensure the Plugee is within RF range of the hub (Smartee) or routing device.
- Make sure the network on your Smartee is open for joining. Keep in mind that once you clicked on Add Devices, the network will be open for 60 seconds.
- Check if the Plugee hasn't join another network (the LED will be static), see the next step to learn how to reset your Plugee to remove it from a network.

Removing from Zigbee Network

If it becomes necessary to remove the Plugee from a Zigbee network then you must factory default the Plugee. To factory default the Plugee:

- A. Remove the Plugee from the wall receptacle.
- B. Press and hold the Config button for 10 second. The LED will lit and blink twice (after 5 and after 10 seconds)
- C. Right after this, the LED will blink 3 times in 2 occasions and then will start blinking continuously searching for a new network to join.



3 PLUGEE'S SPECS

Electrical specifications

Description	Min	Typ	Max	Unit
Rated	110	-	240	VAC
Input frequency	50	-	60	Hz
Operating temperature	0°	-	60°	°C
Storage temperature	-20°	-	50°	°C
Operating Humidity	0	-	90%	RH (non-condensing)
Output			10A General Purpose	

Wireless RF Characteristics

Description	Min	Typ	Max	Unit
RF Channels	-	-	16	-
TX Strength	-	-	+20	dBm
Range	-	-	50+	ft.
Protocol		Zigbee HA 1.2		

4 SAFETY INSTRUCTIONS



Safety Guidelines

- To be installed and/or used in accordance with appropriate electrical codes and regulations.
- If you are unsure about any of these instructions, consult a qualified electrician.
- Unplug unit when servicing connected appliances.
- Follow all guidelines carefully, if you have any questions contact us at support@webeelife.com.



Warning: Each module outlet is rated to 10A only.

Warning: If a load greater than 10 amps is attached to the output, the Plugee will be damaged and will no longer function.

Warning: The total current of the device is 10A. Do not exceed this value!

Warning: If a direct short is created on the output, the Plugee will be damaged and will no longer function.

V1.0 REV. July, 2015

webee®

